

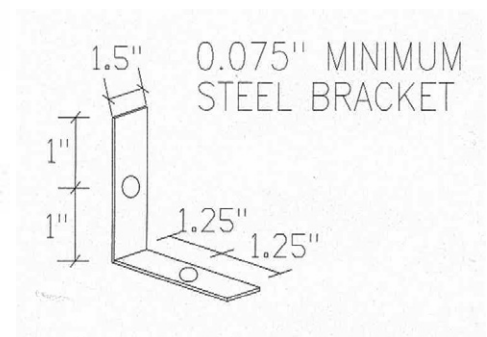
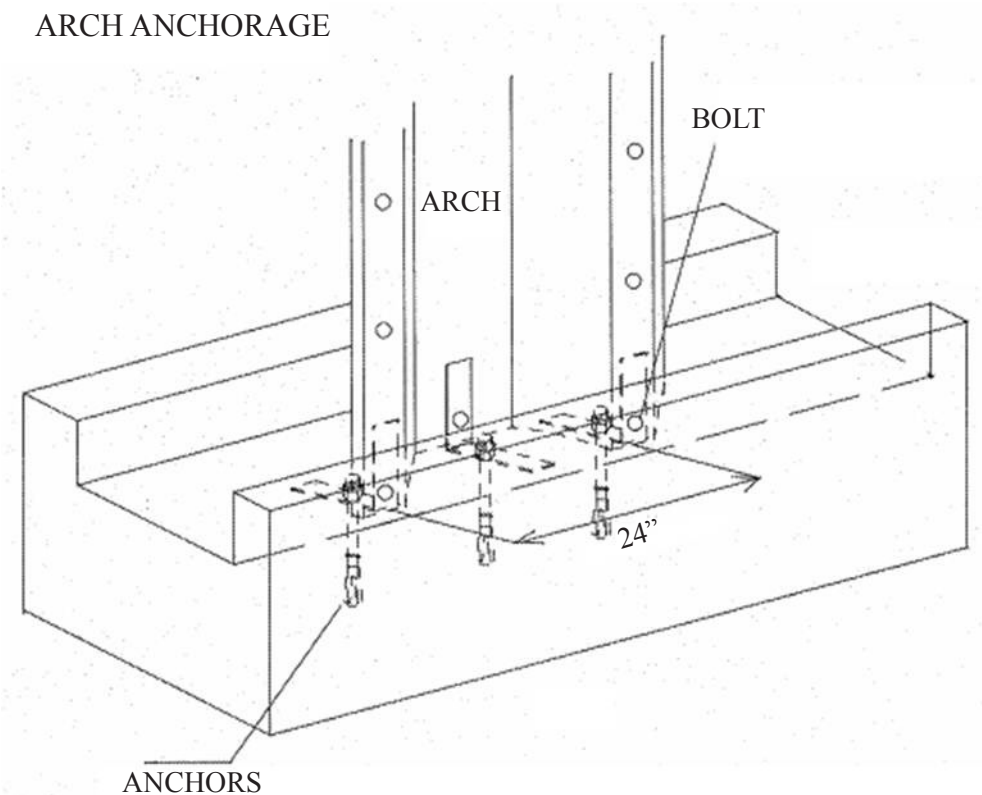
# Keyway Foundation

Grouting the outside of the building is done on a minimum of a 1" slope, so that water will run away from the building.

Grout the inside of the building flush with the slab.

As each arch is stood in place, it should be bolted down. Use pre-punched metal, securing them with wedge anchor/J-bolt and bolting the arch in place with the existing bolts and nuts supplied with the building.

ARCH ANCHORAGE



**Quality • Service • Value**  
The Most Trusted Name in  
Arch Steel Structures



1023 Laskin Rd. Suite 109  
Virginia Beach, VA 23451  
**800-341-7007**